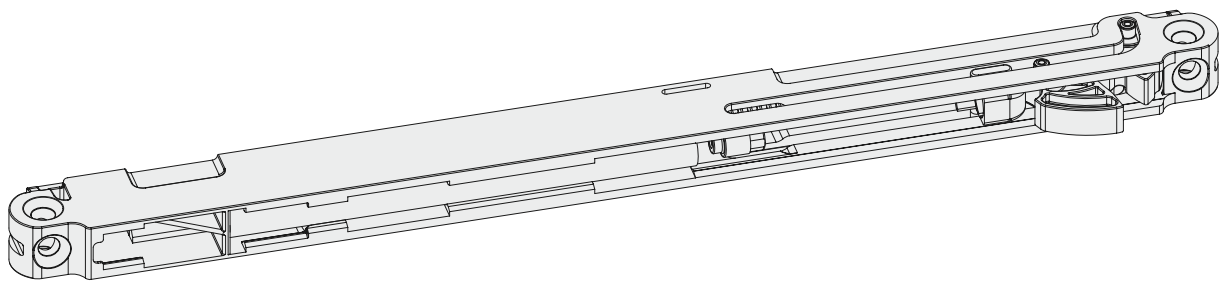
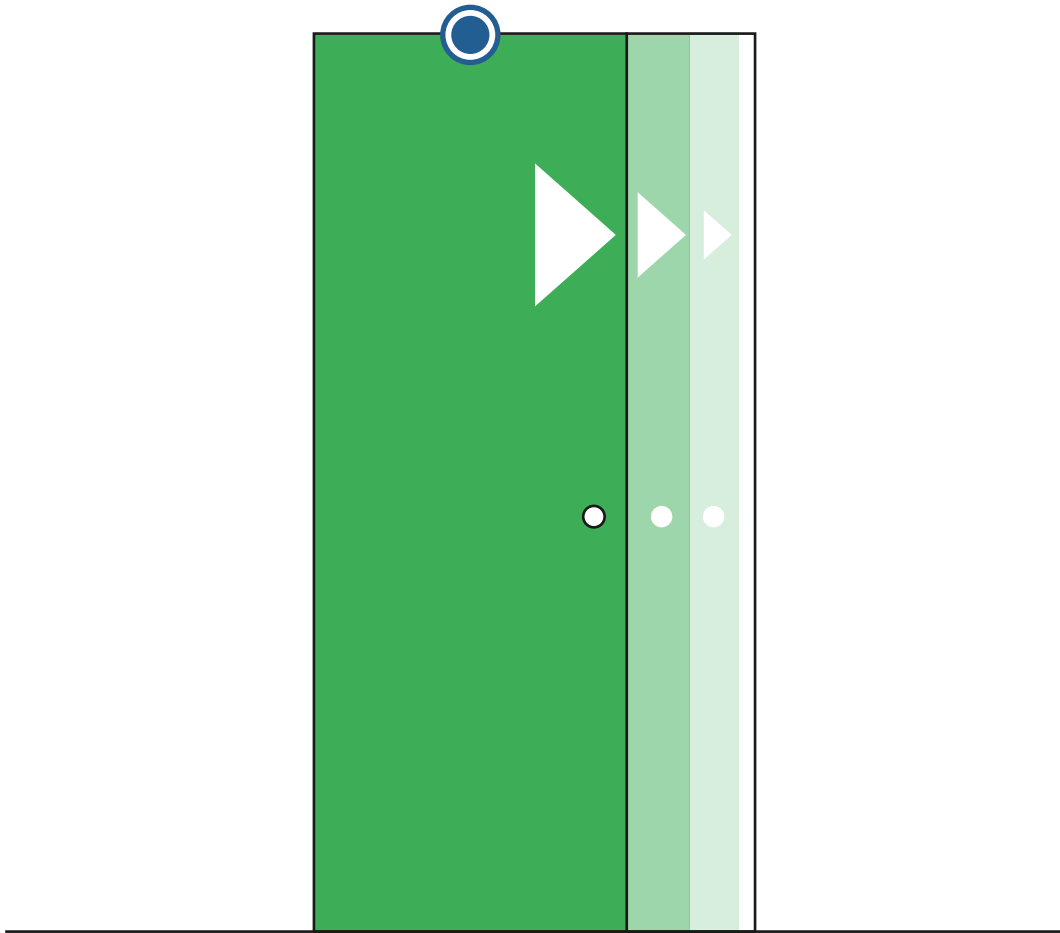


Rocket Door Frames

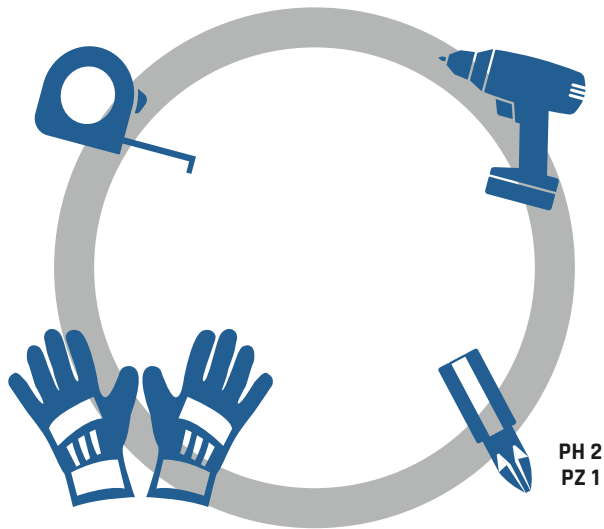
- SOFT CLOSE -



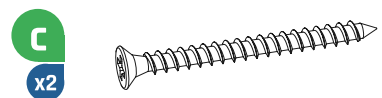
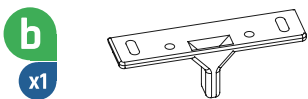
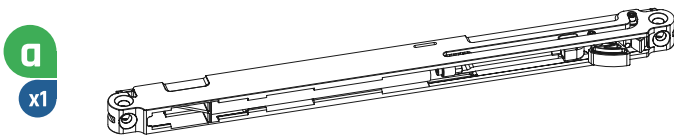
 **CAUTION**

If you follow carefully these instructions for the assembly and installation process your life will be easier!
Some parts may have sharp edges so use gloves and be careful when handling the parts.

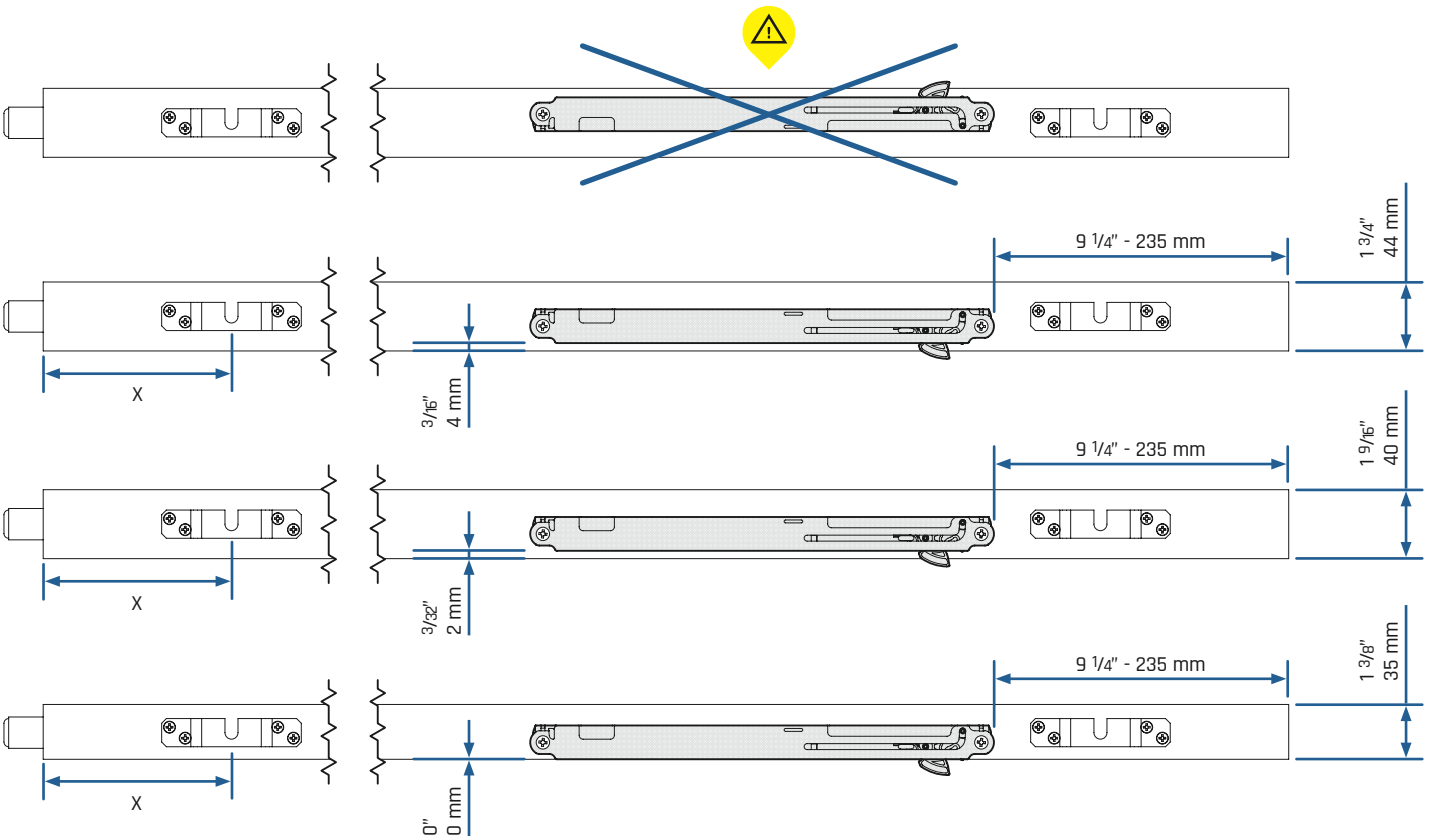
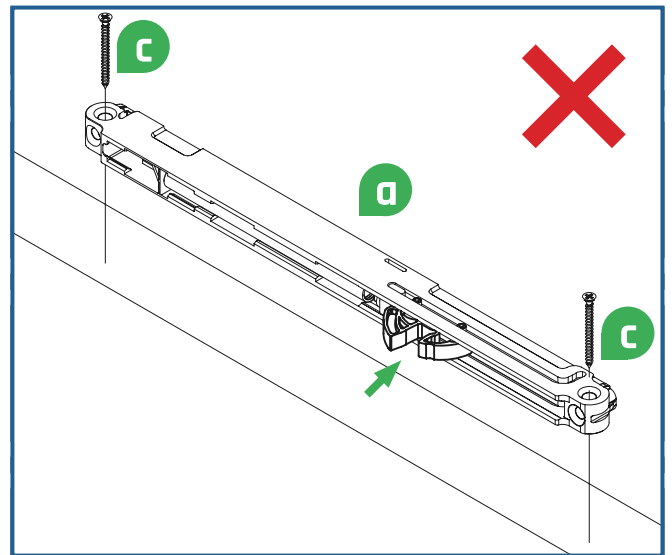
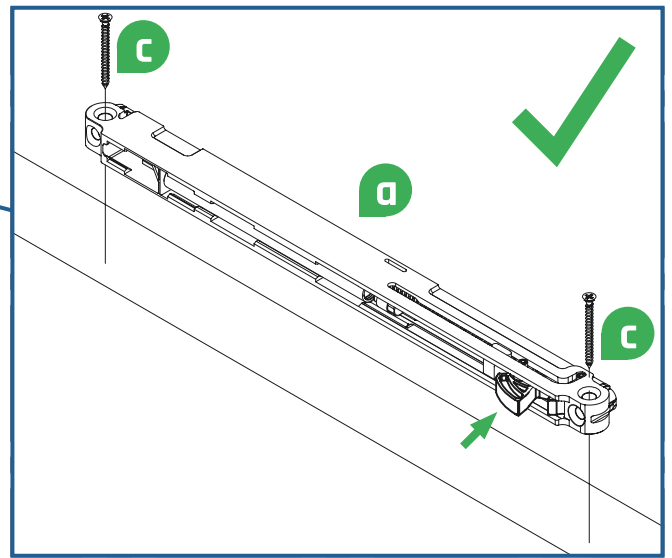
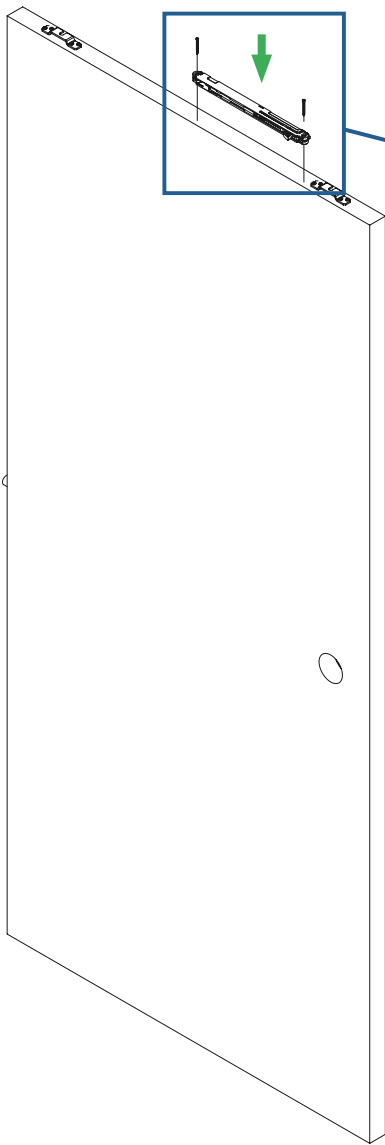
TOOLS REQUIRED



COMPONENTS



1



For doors of 26" (660 mm) or smaller, place X at 3 1/8" (80 mm) from the door's rear edge.

